

LED Bellon

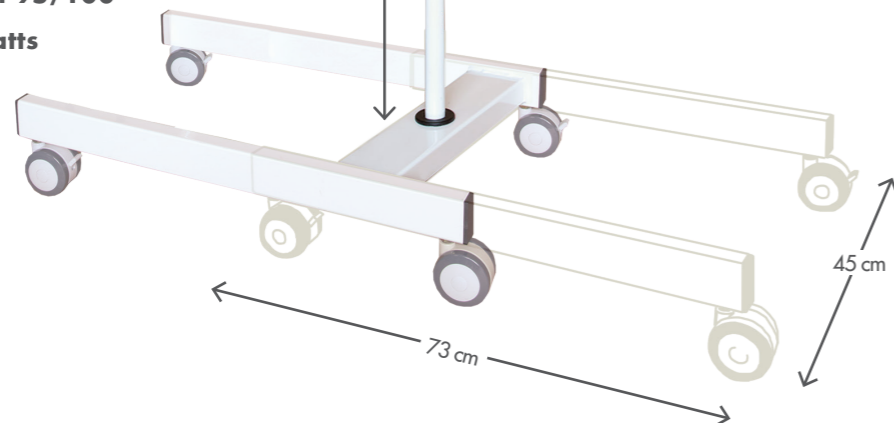
Extremely powerful and compact, the Bellon LED reinvents the standards of medical lighting! On a mobile stand or ceiling mount, the Bellon LED offers an exceptional light output of 2300 lumens in a very compact format allowing its use in rooms where the use of a surgical light is complicated and/or disproportionate.

Composed of 12 high performance LEDs of very high quality, the Bellon LED will meet the expectations of the most demanding specialists who want an optimal illumination of the surgical site and light that faithfully reproduces the different colour shades of the tissue.

Ideal for the emergency room, resuscitation, anaesthesia and surgery.

● Medical device class I

- Light intensity **2300 Lumens***
- Colour of temperature **4500°K* (neutral white)**
- Colour rendering index **CRI 95/100**
- Electric consumption **18 Watts**



- LED life span: 50 000 h minimum
- Power cable length: 3 meters / 4 meters
- Suggested colors: white
- Head dimensions: 16 x 13 cm
- Electrical protection: insulation class I
- Standards: IEC 60 601 -1/ -2:1

Bellon mobile

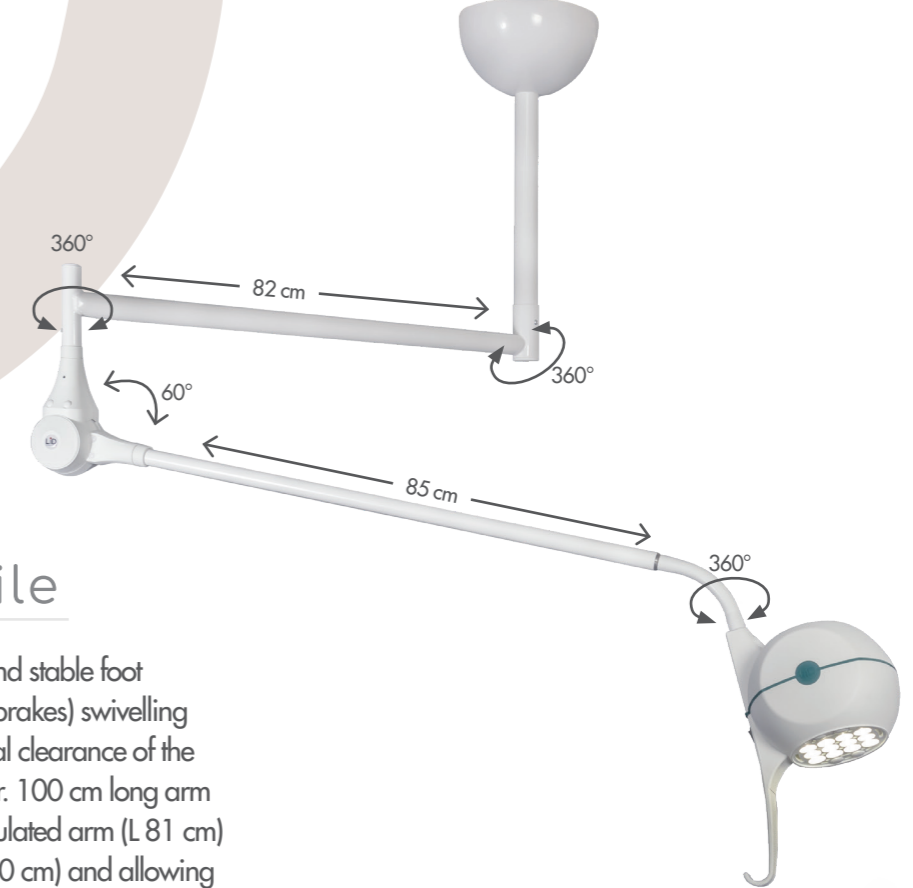
Complete device with heavy and stable foot (equipped with 4 castors with brakes) swivelling 360° around the arm for a total clearance of the useful space for the practitioner. 100 cm long arm with spring compensated articulated arm (L 81 cm) adjustable in height (163 / 200 cm) and allowing a positioning of the lamp head from 114 cm to 230 cm. 14 cm heavy flexible arm with 360° rotation ring and ergonomic handle for precise, smooth and durable positioning of the head in all circumstances.

Three position switch (Off /50%/100%) on the lamp head.

Lux*	Beam 10°	Distance	Illuminated diameter
240 000		30 cm	15 cm
160 000		50 cm	20 cm
44 000		100 cm	30 cm

* Values accurate within +/- 10 %

CODES	
BELLON MOBILE	LED18M
BELLON CEILING	LED18P



Bellon ceiling

Ceiling mounting for a wide range of light movement. 55 cm long arm with 360° rotation ring effectively retains the two spring-compensated rigid arms (82 and 85 cm) with 60° opening angle for very low lamp head positioning. A second ball joint allows the arms to be extended up to 167 cm through 360°. Highly manoeuvrable lamp head thanks to reinforced, durable 14 cm flexible arm with 360° rotation ring and with 360° rotation ring and ergonomic handle. Three-position switch (Off /50%/100%) on the lamp head.